

TH

Notice of Allowability

Application No.

10/710,693

Examiner

Phallaka Kik

Applicant(s)

BHOOSHAN ET AL.

Art Unit

2825

-- The MAILING DATE of this communication appears on the cover sheet with the correspondence address--

All claims being allowable, PROSECUTION ON THE MERITS IS (OR REMAINS) CLOSED in this application. If not included herewith (or previously mailed), a Notice of Allowance (PTOL-85) or other appropriate communication will be mailed in due course. **THIS NOTICE OF ALLOWABILITY IS NOT A GRANT OF PATENT RIGHTS.** This application is subject to withdrawal from issue at the initiative of the Office or upon petition by the applicant. See 37 CFR 1.313 and MPEP 1308.

- 1. This communication is responsive to amendment-after-final filed on 8/22/2007 and drawings filed on 8/9/2007.
- 2. The allowed claim(s) is/are 1-12,25-36, wherein claims 13-24,37-48 have been canceled and claims 25-36 have been renumbered as 13-24 respectively.
- 3. Acknowledgment is made of a claim for foreign priority under 35 U.S.C. § 119(a)-(d) or (f).
 - a) All b) Some* c) None of the:
 - 1. Certified copies of the priority documents have been received.
 - 2. Certified copies of the priority documents have been received in Application No. _____.
 - 3. Copies of the certified copies of the priority documents have been received in this national stage application from the International Bureau (PCT Rule 17.2(a)).

* Certified copies not received: _____.

Applicant has THREE MONTHS FROM THE "MAILING DATE" of this communication to file a reply complying with the requirements noted below. Failure to timely comply will result in ABANDONMENT of this application. **THIS THREE-MONTH PERIOD IS NOT EXTENDABLE.**

- 4. A SUBSTITUTE OATH OR DECLARATION must be submitted. Note the attached EXAMINER'S AMENDMENT or NOTICE OF INFORMAL PATENT APPLICATION (PTO-152) which gives reason(s) why the oath or declaration is deficient.
 - 5. CORRECTED DRAWINGS (as "replacement sheets") must be submitted.
 - (a) including changes required by the Notice of Draftsperson's Patent Drawing Review (PTO-948) attached
 - 1) hereto or 2) to Paper No./Mail Date _____.
 - (b) including changes required by the attached Examiner's Amendment / Comment or in the Office action of Paper No./Mail Date _____.
- Identifying indicia such as the application number (see 37 CFR 1.84(c)) should be written on the drawings in the front (not the back) of each sheet. Replacement sheet(s) should be labeled as such in the header according to 37 CFR 1.121(d).
- 6. DEPOSIT OF and/or INFORMATION about the deposit of BIOLOGICAL MATERIAL must be submitted. Note the attached Examiner's comment regarding REQUIREMENT FOR THE DEPOSIT OF BIOLOGICAL MATERIAL.

Attachment(s)

- 1. Notice of References Cited (PTO-892)
- 2. Notice of Draftsperson's Patent Drawing Review (PTO-948)
- 3. Information Disclosure Statements (PTO/SB/08), Paper No./Mail Date _____
- 4. Examiner's Comment Regarding Requirement for Deposit of Biological Material
- 5. Notice of Informal Patent Application
- 6. Interview Summary (PTO-413), Paper No./Mail Date _____.
- 7. Examiner's Amendment/Comment
- 8. Examiner's Statement of Reasons for Allowance
- 9. Other _____.

DETAILED ACTION

1. This Office Action responds to Applicant's amendment after final filed on 8/22/2007 and drawings filed on 8/9/2007. Claims 1-48 are pending, wherein claims 13-24,37-48 are withdrawn from consideration as being directed to non-elected inventions without traverse. Claims 1-12,25-36 have been examined and are allowed, wherein claims 13-24,37-48 are subjected to the following Examiner's Amendment.

Election/Restrictions

2. This application is in condition for allowance except for the presence of claims 13-24,37-48 directed to inventions non-elected without traverse. Accordingly, claims 13-24,37-48 been cancelled, as given in below in the Examiner Amendment.

Drawings

3. The drawings were received on 8/9/2007. These drawings are approved by the Examiner.

EXAMINER'S AMENDMENT

4. An examiner's amendment to the record appears below. Should the changes and/or additions be unacceptable to applicant, an amendment may be filed as provided by 37 CFR 1.312. To ensure consideration of such an amendment, it MUST be submitted no later than the payment of the issue fee.

The application has been amended as follows:

In the claims:

As per **claims 13-24,37-48**, the claims have been canceled as being directed to non-elected inventions without traverse.

Allowable Subject Matter

5. **Claims 1-12,25-36** are allowed.
6. The following is an examiner's statement of reasons for allowance:

As per **claims 1-12,25-36**, Applicant's arguments filed on 8/22/2007 set forth the patentability of Applicant's claimed invention, wherein as pointed out by Applicant, the prior arts made of record failed to teach or suggest the inventive steps/actions of generating a model of said module by replacing each of said plurality of transistors in said topology by a corresponding one of a plurality of current sources, as claimed, in combination with other steps/actions as claimed, as part of the method/computer readable medium for determining approximately whether a design of a module violates a desired criteria, as claimed, wherein as pointed out by Applicant, the prior arts made of record failed to guarantee each of the transistors is replaced with a corresponding one of the plurality of current sources, as claimed (see Amendment filed on 8/22/2007, page 2). Accordingly, the claimed invention is novel and un-obvious over the prior arts made of record.

Conclusion

7. Any comments considered necessary by applicant must be submitted no later than the payment of the issue fee and, to avoid processing delays, should preferably accompany the issue fee. Such submissions should be clearly labeled "Comments on Statement of Reasons for Allowance."

Art Unit: 2825

8. Any inquiry concerning this communication or earlier communications from the examiner should be directed to Phallaka Kik whose telephone number is 571-272-1895. The examiner can normally be reached on Monday-Friday, 8AM-5:30PM.

If attempts to reach the examiner by telephone are unsuccessful, the examiner's supervisor, Jack Chiang can be reached on 571-272-7483. The fax phone number for the organization where this application or proceeding is assigned is 571-273-8300.

Information regarding the status of an application may be obtained from the Patent Application Information Retrieval (PAIR) system. Status information for published applications may be obtained from either Private PAIR or Public PAIR. Status information for unpublished applications is available through Private PAIR only. For more information about the PAIR system, see <http://pair-direct.uspto.gov>. Should you have questions on access to the Private PAIR system, contact the Electronic Business Center (EBC) at 866-217-9197 (toll-free). If you would like assistance from a USPTO Customer Service Representative or access to the automated information system, call 800-786-9199 (IN USA OR CANADA) or 571-272-1000.

Any response to this action should be mailed to:

Commissioner for Patents
P. O. Box 1450
Alexandria, VA 22313-1450

or faxed to:

571-273-8300

Application/Control Number: 10/710,693

Page 5

Art Unit: 2825

/Phallaka Kik/

Primary Examiner, A.U. 2825

August 23, 2007

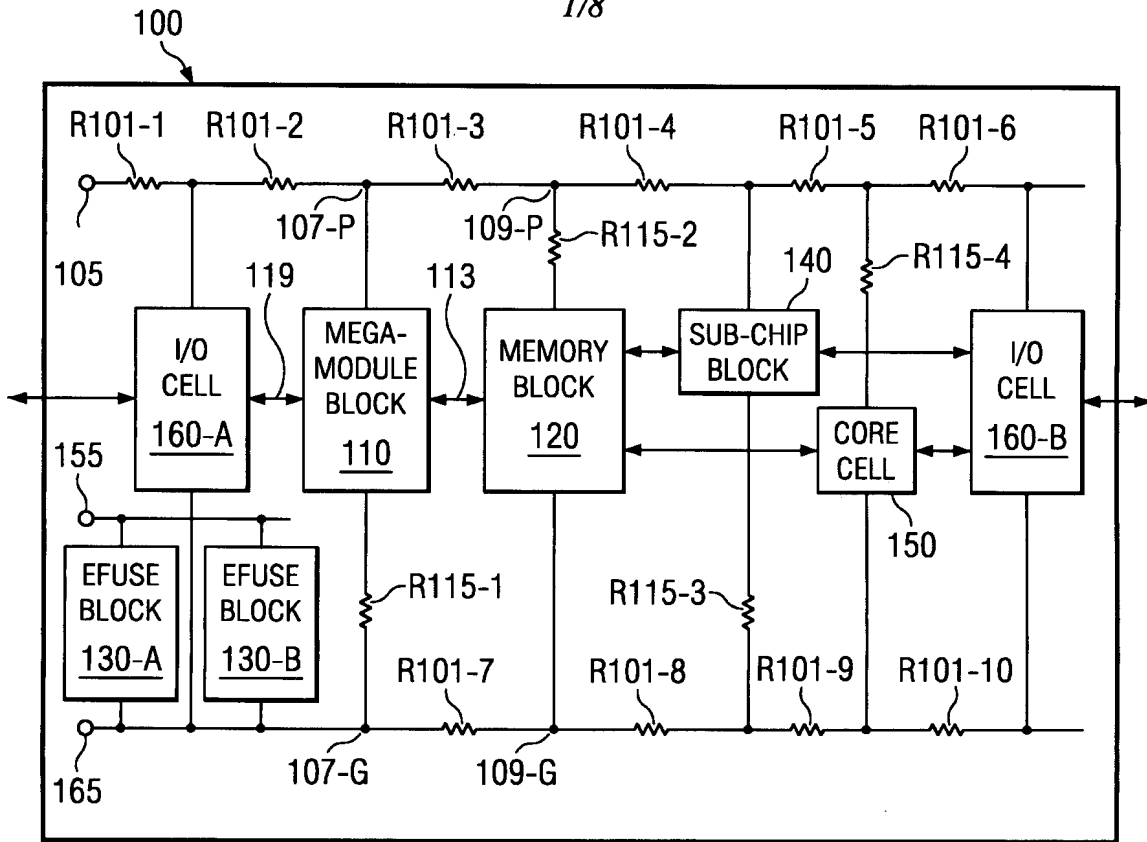


FIG. 1A

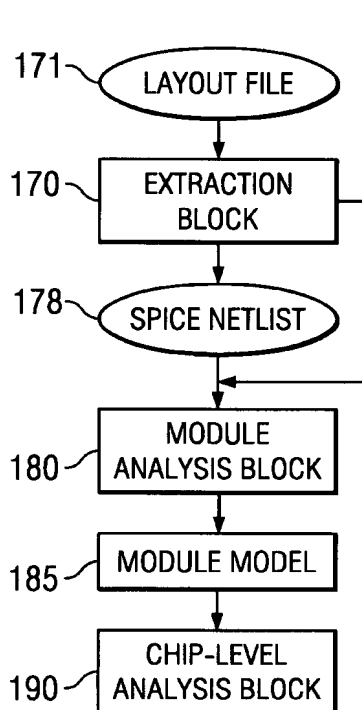


FIG. 1B

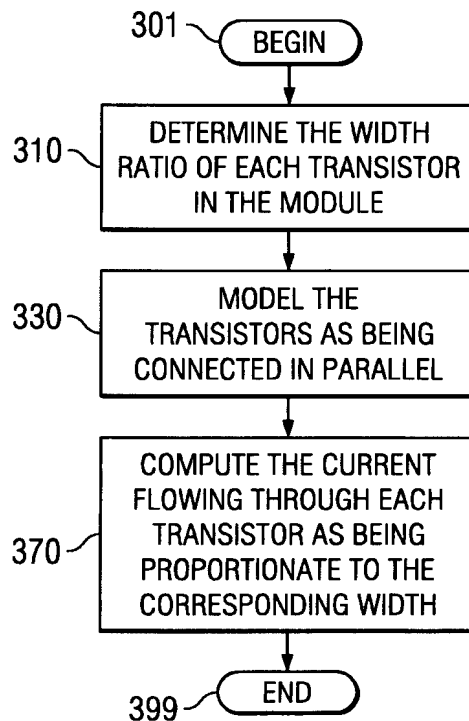


FIG. 3